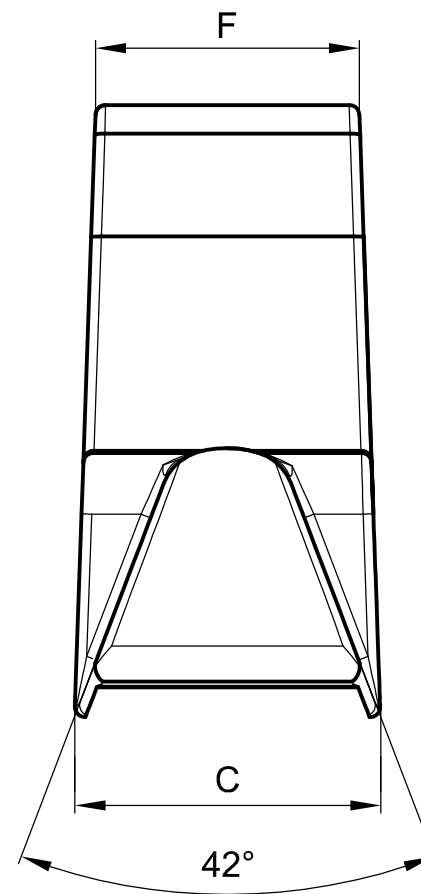
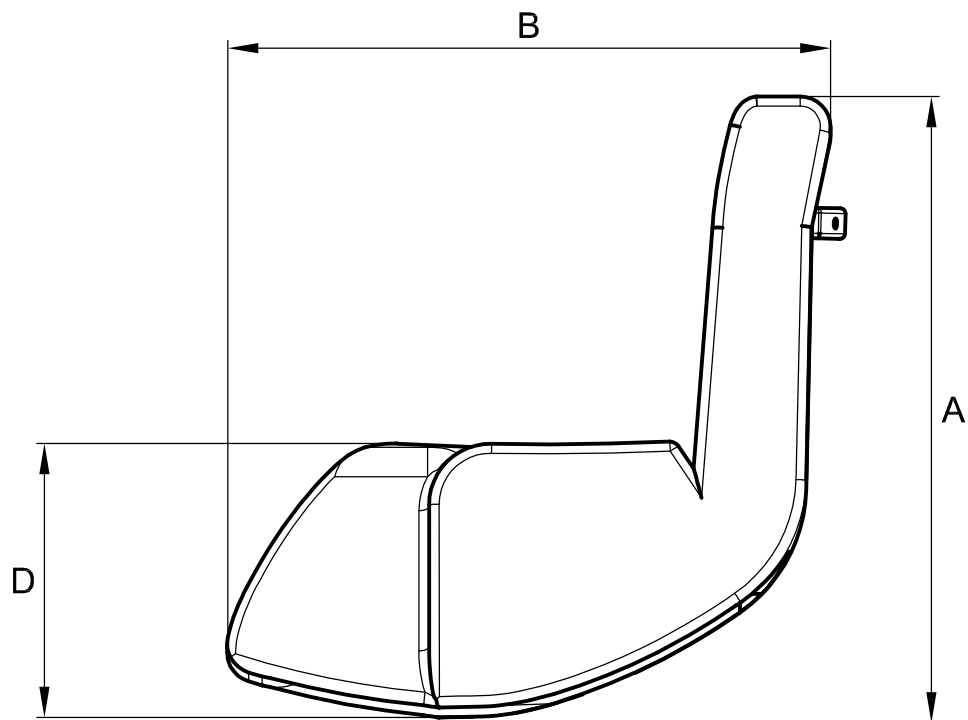


A (mm)	≈ 615
B (mm)	≈ 590
C (mm)	300
D (mm)	270
F (mm)	260
Weight (Kg)	30



The padding could vary the sizes of few centimeters



Product

P 340

Helm Seat